

SUBMITTAL FOR CHARLOTTE® EZS 700L & 700R STARTER FITTING

Date: _____

Job Name: _____

Location: _____

Engineer: _____

Contractor: _____

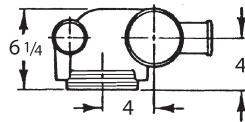
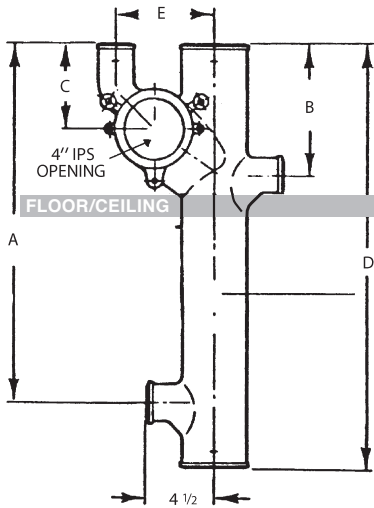


Illustration shows
Left Hand

EZS 700L and 700R
Threaded Left or Right
Starter Fitting with or
without No-Hub Inlets

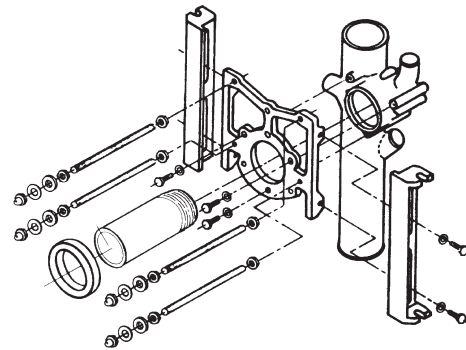
| Part No. | Size | A | B | C | D | E | Weight |
|----------|------|--------|-------|-------|----|-------|--------|
| EZS 700L | 4x28 | 0 | 0 | 5 1/2 | 28 | 6 1/2 | 34.6 |
| EZS 700L | 4x28 | 0 | 8 1/2 | 5 1/2 | 28 | 6 1/2 | 35.7 |
| EZS 700L | 4x28 | 14 | 8 1/2 | 5 1/2 | 28 | 6 1/2 | 36.3 |
| EZS 700L | 4x28 | 23 1/2 | 8 1/2 | 5 1/2 | 28 | 6 1/2 | 32.0 |
| EZS 700R | 4x28 | 0 | 0 | 5 1/2 | 28 | 6 1/2 | 30.0 |
| EZS 700R | 4x28 | 0 | 8 1/2 | 5 1/2 | 28 | 6 1/2 | 34.0 |
| EZS 700R | 4x28 | 14 | 8 1/2 | 5 1/2 | 28 | 6 1/2 | 35.3 |
| EZS 700R | 4x28 | 23 1/2 | 8 1/2 | 5 1/2 | 28 | 6 1/2 | 32.0 |

ENGINEERING SPECIFICATION:
Part NO. EZS 700L and EZS 700R Cast Iron Threaded Starter Fitting with or without 2" No-Hub Inlets; Designed for use above the floor with back-outlet water closets. Manufactured in accordance with CISPI 301.

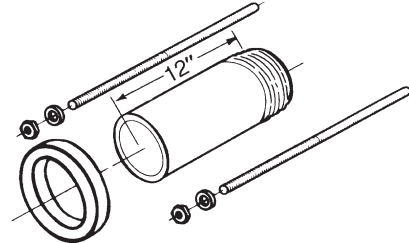
FOR WALL-HUNG BACK OUTLET APPLICATIONS: Contractor shall provide EZS 700L or EZS 700R fitting with EZS 22 Support Frame and EZS 24 Trim Package. Installation shall be for applications not exceeding 500 lbs.

FOR FLOOR MOUNTED BACK OUTLET APPLICATIONS: Contractor shall provide EZS 700L or EZS 700R fitting with EZS 23 Trim Package.

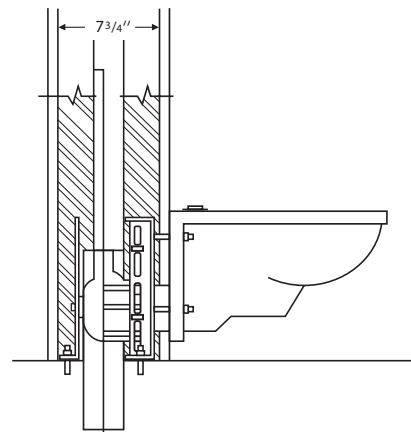
EZS 22 Support Frame and EZS 24 Trim Package for Wall-Hung, Back-Outlet Water Closet Installations Shown



EZS 23 Trim Package for Floor-Mounted, Back-Outlet Water Closet Installations Shown



Minimum Space Requirements for EZS 700 and EZS 800 Left and Right Starter Fittings



For more information, call us at 1-800-438-6091 or log on to www.charlottepipe.com.

Charlotte is a registered trademark of Charlotte Pipe and Foundry Company.