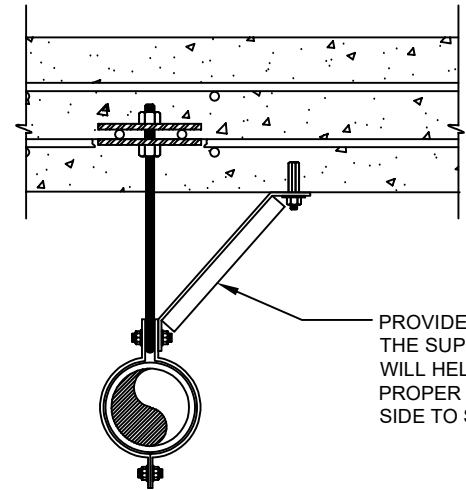


HANGER SHALL BE WITHIN 18" OF JOINT



PROVIDE SWAY BRACING AS PART OF THE SUPPORT SYSTEM. SWAY BRACING WILL HELP KEEP THE SYSTEM IN PROPER ALIGNMENT AND ELIMINATE SIDE TO SIDE MOVEMENT

MINIMUM PIPE SLOPE PER IPC	
2 1/2" OR LESS	1/4"
3" - 6"	1/8"
8" OR LARGER	1/16"

06/02/20

NOTICE: THE INFORMATION ON THIS PAGE PROVIDES GENERAL GUIDELINES. IT SHOULD BE USED ONLY AS A REFERENCE AND NOT AS A GAURANTEE OF PERFORMANCE. SPECIFIC INSTALLATION INSTRUCTIONS AND TECHNIQUES MAY BE REQUIRED AS A RESULT OF LOCAL PLUMBING AND BUILDING CODES, ENGINEERING SPECIFICATIONS AND INSTRUCTIONS.

CPF-3

UNDERGROUND
NH CAST IRON
PIPE SUSPENDED
FROM SLAB

CHARLOTTE
PIPE AND FOUNDRY COMPANY