

# SUBMITTAL FOR CHARLOTTE® EZS 400D STARTER FITTING

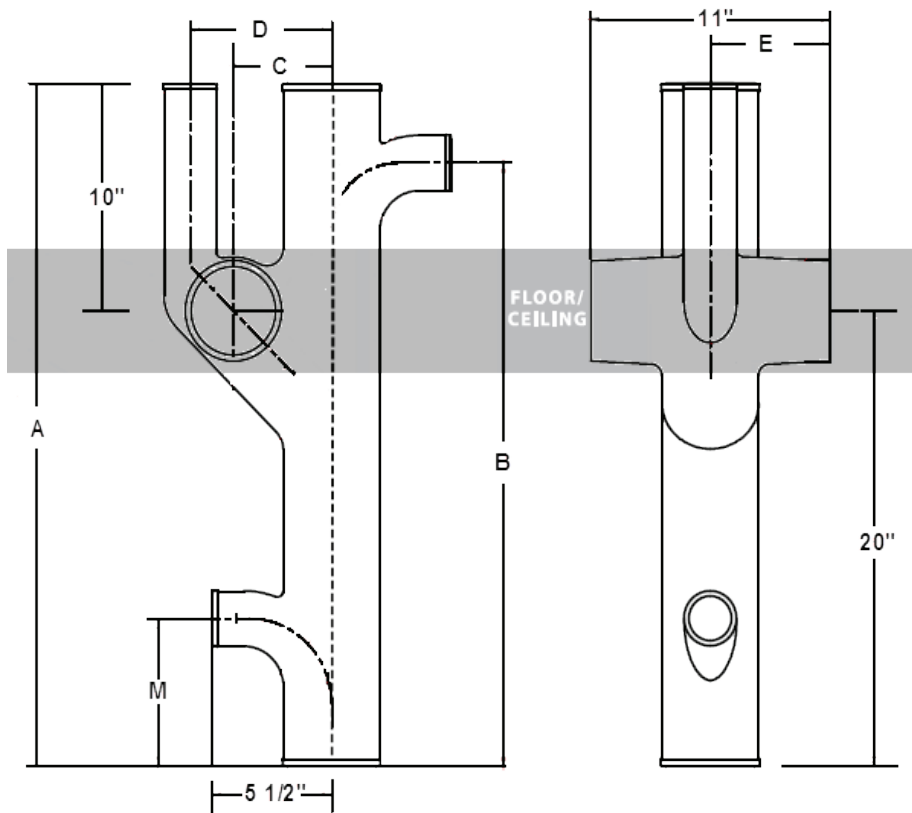
Date: \_\_\_\_\_

Job Name: \_\_\_\_\_

Location: \_\_\_\_\_

Engineer: \_\_\_\_\_

Contractor: \_\_\_\_\_



► **ENGINEERING SPECIFICATION:**  
Part NO. EZS 400D  
30" Double Starter Fitting with or without 2" No-Hub Inlets; Designed for use in the floor with bottom-outlet, back-to-back water closets.

► Manufactured in accordance with CISPI 301

► **AVAILABLE CONFIGURATIONS**

Part No.	Size	A	B	C	D	E	M	Weight
EZS 400D	4x30	30	0	4 1/2	6 1/2	5 1/2	0	29.3
EZS 400D	4x30	30	6 1/2	4 1/2	6 1/2	5 1/2	0	36.4
EZS 400D	4x30	30	12	4 1/2	6 1/2	5 1/2	0	39.6
EZS 400D	4x30	30	0	4 1/2	6 1/2	5 1/2	4	38.0
EZS 400D	4x30	30	0	4 1/2	6 1/2	5 1/2	6 1/2	35.6
EZS 400D	4x30	30	26 1/2	4 1/2	6 1/2	5 1/2	6 1/2	38.9
EZS 400D	4x30	30	0	4 1/2	6 1/2	5 1/2	12	35.7
EZS 400D	4x30	30	26 1/2	4 1/2	6 1/2	5 1/2	12	38.0

► **M & B Dimensions must be measured from the bottom of the fitting.**



For more information, call us at 1-800-438-6091 or log on to [www.charlottepipe.com](http://www.charlottepipe.com).

Charlotte is a registered trademark of Charlotte Pipe and Foundry Company.