

No-Hub



Product Data Sheet NH-825-CA
Effective August 1, 2025
(Updated May 1, 2026)
Supersedes Product Data Sheet NH-125-CA

Possession of this product data sheet shall not be construed as an offer to sell the products listed.
Charlotte Pipe and "You can't beat the system" are registered trademarks of Charlotte Pipe and Foundry Company.
©2022-2026 Charlotte Pipe and Foundry Company

>> No-Hub (Hubless /MJ) Cast Iron Soil Pipe and Fittings

Please contact Customer Service or refer to www.charlottepipe.com for crate and half-crate quantities.



CSA B 70

ASTM A 888 &
CISPI 301

Size	*UPC# 611942-	Weight	Size	*UPC# 611942-	Weight
------	------------------	--------	------	------------------	--------

Part No. NH 2 No-Hub Pipe



1½"x10'	00128	28.5
2"x10'	00129	35.0
3"x10'	00130	54.0
4"x10'	00131	76.0
5"x10'	00132	97.6
6"x10'	00133	117.8
8"x10'	00134	170.9
10"x10'	00135	254.6
12"x10'	09606	318.0
15"x10'	09607	492.6



Part No. NH 4 Quarter Bend

1½	00136	1.6
2	00137	2.3
3	00141	4.4
4	00146	7.3
5	00148	9.9
6	00149	13.7
8	00150	20.6



Part No. NH 4 Long Quarter Bend

3x12	00142	7.5
------	-------	-----



Part No. NH 4 A Tapped Quarter Bend

2x2	00155	2.8
-----	-------	-----



Part No. NH 5 Short Radius Quarter Bend

2	16824	1.5
3	16825	3.5
4	16826	6.2



Part No. NH 12 Eighth Bend

1½	00169	1.5
2	00170	1.8
3	00173	3.0
4	00176	3.7
5	00178	7.2
6	00179	8.6
8	00180	14.9
10	00181	30.8
12	09608	42.0
15	09609	63.4



Part No. NH 13 Short Radius Eighth Bend

2	16827	1.3
3	16828	2.6
4	16829	4.3

See page 6 for pipe bundle quantities.

You can't beat the system.®

Size	*UPC# 611942-	Weight	Size	*UPC# 611942-	Weight
------	------------------	--------	------	------------------	--------



**Part No. NH 14
Sixteenth Bend**

1½	00182	1.2
2	00183	1.4
3	00184	2.2
4	00185	3.3
5	00186	5.1
6	00187	6.5
8	00188	11.4



**Part No. NH 16
Short Sweep**

2	00189	3.8
3	00190	6.5
4	00191	8.5
5	00192	12.7
8	00194	27.4
10	00195	50.9
12	09621	61.3
15	09622	105.6



**Part No. NH 18
Long Sweep**

1½	00198	4.6
2	00199	5.7
3	00201	9.3
4	00203	11.8
5	00204	18.2
6	00205	23.2



**Part No. NH 20
Wye**

1½	00207	2.5
2	00208	3.3
3x2	00216	4.4
3	00209	4.4
4x2	00217	4.7
4x3	00218	7.5
4	00210	9.4
5x2	00220	8.6
5x3	00221	10.3
5x4	00219	12.5
5	00211	14.8
6x2	00225	9.4
6x3	00224	12.1
6x4	00223	13.9
6x5	00222	17.1
6	00212	19.0
8x3	00227	17.2
8x4	00228	21.3
8x6	00230	28.1
8	00213	33.3
10x4	00231	33.1
10x6	00232	42.3
10x8	00233	56.8
10	00214	75.4
12	09619	97.0
15	09620	189.5



**Part No. NH 21
Double Wye**

2	00234	4.5
3x2	00241	5.5
3	00235	8.0
4x2	00242	6.9
4x3	00243	8.7
4	00236	11.9
5x4	00244	14.9
6x4	00245	16.2
6	00237	27.4
8	00238	47.5

! WARNING

Testing with or use of compressed air or gas in Cast Iron pipe or fittings can result in explosive failures and cause severe injury or death.

AIR/GAS



- NEVER test with or transport/store compressed air or gas in Cast Iron pipe or fittings.
- NEVER test Cast Iron pipe or fittings with compressed air or gas.
- ONLY use Cast Iron pipe and fittings for drain, waste and vent or sanitary sewer applications.

Size	*UPC# 611942-	Weight	Size	*UPC# 611942-	Weight
------	------------------	--------	------	------------------	--------



**Part No. NH 21 A
Upright Wye**

2	00248	4.6
3x2	00251	5.6
3	00249	9.4
4x2	00252	7.4
4x3	00253	10.1
4	00250	12.5



**Part No. NH 22
Combination Wye and Eighth Bend**

1½	00260	3.1
2x1½	00267	3.5
2	00261	4.1
3x1½	00268	5.2
3x2	00269	5.5
3	00262	8.1
4x2	00271	6.8
4x3	00272	9.4
4	00263	14.2
5x2	00273	8.6
5x3	00274	12.6
5x4	00275	16.7
5	00264	19.5
6x2	00276	10.9
6x3	00277	14.8
6x4	00278	18.3
6x5	00279	22.4
6	00265	29.7
8	00266	42.6



**Part No. NH 24
Double Combination**

2	00284	6.7
3x2	00287	7.9
3	00285	11.7
4x2	00290	8.5
4x3	00291	13.7
4	00286	20.0



**Part No. NH 28
Sanitary Tee**

1½	00301	2.9
2x1½	00308	3.3
2	00302	3.4
3x1½	00309	4.4
3x2	00310	4.3
3	00303	5.4
4x2	00312	6.0
4x3	00313	7.3
4	00304	8.1
5x2	00314	8.1
5x3	00315	10.1
5x4	00316	11.3
5	00305	12.1
6x2	00317	9.3
6x3	00318	11.2
6x4	00319	11.6
6x5	00320	16.5
6	00306	13.6
8x3	00321	18.3
8x6	00324	24.1
8	00307	30.3



**Part No. NH 30
Sanitary Cross**

1½	00326	3.7
2	00327	4.9
3x2	00332	6.1
3	00328	7.6
4x2	00334	7.2
4x3	00335	8.6
4	00329	10.6
5x4	00336	13.7
6x4	00338	14.5
6	00330	21.8
8	00331	38.7

Size	*UPC# 611942-	Weight	Size	*UPC# 611942-	Weight
------	------------------	--------	------	------------------	--------



Illustration Shows Left Hand

**Part No. NH 32 B
Sanitary Tee
(New Orleans Code, with 2" 45° Sanitary Inlet Above Center)**

3 w/2 LH	00362	8.3
3 w/2 RH	00363	7.8
3 w/2 RH & LH	00366	9.1
4 w/2 LH	00365	10.7



**Part No. NH 34
Sanitary Tapped Tee**

1 1/2 x 1 1/4	00402	2.3
1 1/2 x 1 1/2	00403	2.5
2 x 1 1/4	00404	2.8
2 x 1 1/2	00405	2.8
2 x 2	00407	3.7
3 x 1 1/4	00408	3.7
3 x 1 1/2	00409	3.5
3 x 2	00412	4.8
3 x 3	00413	6.9
4 x 1 1/4	00414	3.9
4 x 1 1/2	00415	4.7
4 x 2	00417	5.8
4 x 3	00419	10.0
5 x 1 1/2	00420	6.5
5 x 2	00421	8.8
6 x 1 1/2	00422	8.1
6 x 2	00423	9.2



**Part No. NH 35
Sanitary Tapped Cross**

1 1/2 x 1 1/2	00426	3.4
2 x 1 1/4	00427	3.8
2 x 1 1/2	00428	3.8
2 x 2	00429	5.3
3 x 1 1/2	00431	4.4
3 x 2	00432	6.1
4 x 1 1/2	00434	5.4
4 x 2	00435	6.9



**Part No. NH 36
Test Tee Less Brass Plug**

IPS TAP

2	2	00443	2.8
3	3	00444	5.6
4	4	00445	8.9
6	6	00447	21.4
8	8	00448	33.1



**Part No. NH 36 S
Test Tee with Southern
Raised-Head Brass Plug Installed**

IPS TAP

2	2	00473	3.1
3	3	00474	6.1
4	4	00475	10.0
6	6	00477	23.6
8	8	04158	37.3



**Part No. NH 37
Extended Sanitary Tee with
1/2" 45° Sanitary Opening
above Center**

3(R)	17102	15.2
3(L)	17103	15.2

Size	*UPC# 611942-	Weight	Size	*UPC# 611942-	Weight
------	------------------	--------	------	------------------	--------



**Part No. NH 40 A
Short Reducer**

Size	*UPC# 611942-	Weight
2x1½	00494	1.1
3x1½	00495	1.6
3x2	00496	1.8
4x2	00497	2.2
4x3	00498	2.2
5x3	00500	3.6
5x4	00501	3.1
6x2	00502	4.0
6x3	00503	3.9
6x4	00504	3.9
8x3	00507	7.1
8x4	00508	7.8
8x6	00510	7.9
10x4	00511	13.8
10x6	00512	13.3
10x8	00513	14.7
12x4	09610	18.4
12x6	09611	18.0
12x8	09612	17.1
12x10	09613	18.9
15x4	09614	33.0
15x6	09615	32.3
15x8	09616	32.2
15x10	09617	31.8
15x12	09618	30.4



**Part No. NH 42
P Trap**

Size	*UPC# 611942-	Weight
1½	00514	3.1
2	00515	4.6
3	00516	8.4
4	00517	15.7
6	00518	32.8



**Part No. NH 43
P-Trap with 1/2" Tap in Heel**

Size	*UPC# 611942-	Weight
2	00531	5.0
3	00532	10.8
4	00533	15.3



**Part No. NH 44 A
Deep Seal P-Trap**

Size	*UPC# 611942-	Weight
2	00541	7.0
3	00542	10.9
4	00543	18.0



**Part No. NH 45
Running Trap with Vent**

Size	*UPC# 611942-	Weight
4	00545	20.0



**Part No. NH 48
Tapped Adapters**

Size	*UPC# 611942-	Weight
1½x1½	00554	1.2
2x1¼	00555	1.0
2x1½	00556	0.9
2x2	00557	1.7
3x2	00560	1.2





**Part No. NH 50
Blind Plug**

Size	*UPC# 611942-	Weight
1½	00561	0.6
2	00562	0.6
3	00563	1.1
4	00564	2.0
5	00565	2.9
6	00566	3.2
8	00567	6.3
10	00568	12.7
12	09623	17.9
15	09624	30.4



**Part No. NH 52
Tapped Ferrule Less Brass Plug**

Size	IPS TAP	*UPC# 611942-	Weight
2	1½	00570	0.9
3	2½	00571	1.9
4	3½	00572	2.4
5	4	00573	6.0
6	5	00574	7.8
8	6	00575	11.4

Size	*UPC# 611942-	Weight	Size	*UPC# 611942-	Weight
 <p>Part No. NH 52 S Tapped Ferrule with Southern Raised-Head Brass Plug Installed</p>			 <p>Part No. NH 55 Extended Closet Flange</p>		
IPS TAP					
2	1½	00597	4x3	17104	11.3
3	2½	00598			
4	3½	00599			
5	4	00600			
6	5	00601			
8	6	00602			

Note: Dimensions and tolerances for No-Hub pipe and fittings are published in Charlotte Pipe’s Cast Iron Dimensional Catalog and also Charlotte Pipe’s Cast Iron Technical Manual.

TEN FOOT PIPE BUNDLES NO-HUB PIPE

Size	Pieces	Weight	Height
1½ x 10	72	2052	12"
2 x 10	54	1906	11"
3 x 10	36	1944	14"
4 x 10	27	2052	17"
5 x 10	24	2342	20"
6 x 10	18	2120	23"
8 x 10	8	1367	22"
10 x 10	6	1528	26"
12 x 10	6	1908	29"
15 x 10	2	985	19"

Weights are approximate and are for shipping purposes only.
All products manufactured by Charlotte Pipe and Foundry Company are proudly made in the U.S.A.

**CHARLOTTE® CAST IRON SOIL PIPE AND FITTINGS
SPECIFICATIONS**

This is to certify that products manufactured by Charlotte Pipe and Foundry, Cast Iron Division, are manufactured in the United States and conform to the following standards:

NO-HUB (HUBLESS) PIPE AND FITTINGS

All cast iron soil pipe and fittings shall be marked with the collective trademark of the Cast Iron Soil Pipe Institute (CISPI).
CISPI Standard 301
ASTM A 888
Listed by NSF® International to the UP Code
ISO 9001:2015 Certified
CSA B 70

Charlotte Pipe and Charlotte are registered trademarks of Charlotte Pipe and Foundry Company.

TERMS AND CONDITIONS OF SALE

Terms and Conditions of Sale can be found at https://charlottepipe.com/terms_and_conditions.aspx.

LIMITED WARRANTY

Charlotte Pipe and Foundry Company® (Charlotte Pipe®) Products are warranted to be free from manufacturing defects and to conform to currently applicable ASTM standards for a period of five (5) years from date of delivery. Buyer's remedy for breach of this warranty is limited to replacement of, or credit for, the defective product. This warranty excludes any expense for removal or reinstallation of any product and any other incidental, consequential, or punitive damages. **This limited warranty is the only warranty made by seller and is expressly in lieu of all other warranties, express and implied, including any warranties of merchantability and fitness for a particular purpose.** No statement, conduct or description by Charlotte Pipe or its representative, in addition to or beyond this Limited Warranty, shall constitute a warranty. This Limited Warranty may only be modified in writing signed by an officer of Charlotte Pipe.

This Limited Warranty will not apply if:

- 1) The Products are used for purposes other than their intended purpose as defined by local plumbing and building codes, and the applicable ASTM standard.
- 2) The Products are not installed in good and workmanlike manner consistent with normal industry standards; installed in compliance with the latest instructions published by Charlotte Pipe and good plumbing practices; and installed in conformance with all applicable plumbing, fire and building code requirements.
- 3) This limited warranty does not apply when the products of Charlotte Pipe are used with the products of other manufacturers that do not meet the applicable ASTM or CISPI standards or that are not marked in a manner to indicate the entity that manufactured them.
- 4) In hubless cast iron installations, this warranty will not apply if products are joined with unshielded hubless couplings. Charlotte Pipe requires that its hubless cast iron pipe and fittings be joined only with shielded hubless couplings manufactured in accordance with CISPI 310, ASTM C 1277 and certified by NSF® International or with Heavy Duty Couplings meeting ASTM C 1540.
- 5) The Products fail due to defects or deficiencies in design, engineering, or installation of the piping system of which they are a part.
- 6) The Products have been the subject of modification; misuse; misapplication; improper maintenance or repair; damage caused by the fault or negligence of anyone other than Charlotte Pipe; or any other act or event beyond the control of Charlotte Pipe.
- 7) The Products fail due to the freezing of water in the Products.
- 8) The Products fail due to contact with chemical agents, fire stopping materials, thread sealant, plasticized vinyl products, or other aggressive chemical agents that are not compatible.
- 9) Pipe outlets, sound attenuation systems or other devices are permanently attached to the surface of Charlotte® PVC, ABS or CPVC products with solvent cement or adhesive glue.

Charlotte Pipe products are manufactured to the applicable ASTM or CISPI standard. Charlotte Pipe and Foundry **cannot** accept responsibility for the performance, dimensional accuracy, or compatibility of pipe, fittings, gaskets, or couplings not manufactured or sold by Charlotte Pipe and Foundry.

This Limited Warranty will not apply unless written notice of a claim is mailed to Charlotte Pipe at the address below within 30 days of discovery of the allegedly defective product.

Any Charlotte Pipe products alleged to be defective **must** be made available to Charlotte Pipe at the following address for verification, inspection and determination of cause:

Charlotte Pipe and Foundry Company
Attention: Technical Services
2109 Randolph Road
Charlotte, North Carolina 28207

Purchaser must obtain a return materials authorization and instructions for return shipment to Charlotte Pipe of any product claimed defective or shipped in error.

Any Charlotte Pipe product **proved** to be defective in manufacture will be replaced F.O.B. point of original delivery, or credit will be issued, at the discretion of Charlotte Pipe.

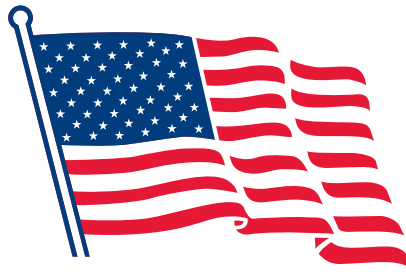
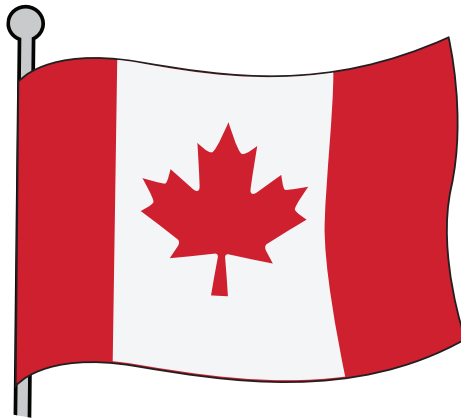
5/19/23

Charlotte, Charlotte Pipe and "You can't beat the system" are registered trademarks of Charlotte Pipe and Foundry Company.

CHARLOTTE

PIPE AND FOUNDRY COMPANY®

PO BOX 35430
CHARLOTTE
NORTH CAROLINA 28235
PHONE (704) 348-6450
(800) 438-6091
FAX (800) 553-1605
WWW.CHARLOTTEPIPE.COM



All products manufactured by
Charlotte Pipe and Foundry Company
are proudly made in the U.S.A.

